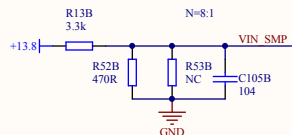
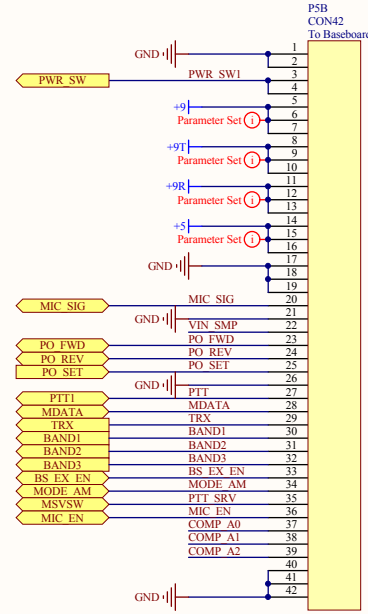
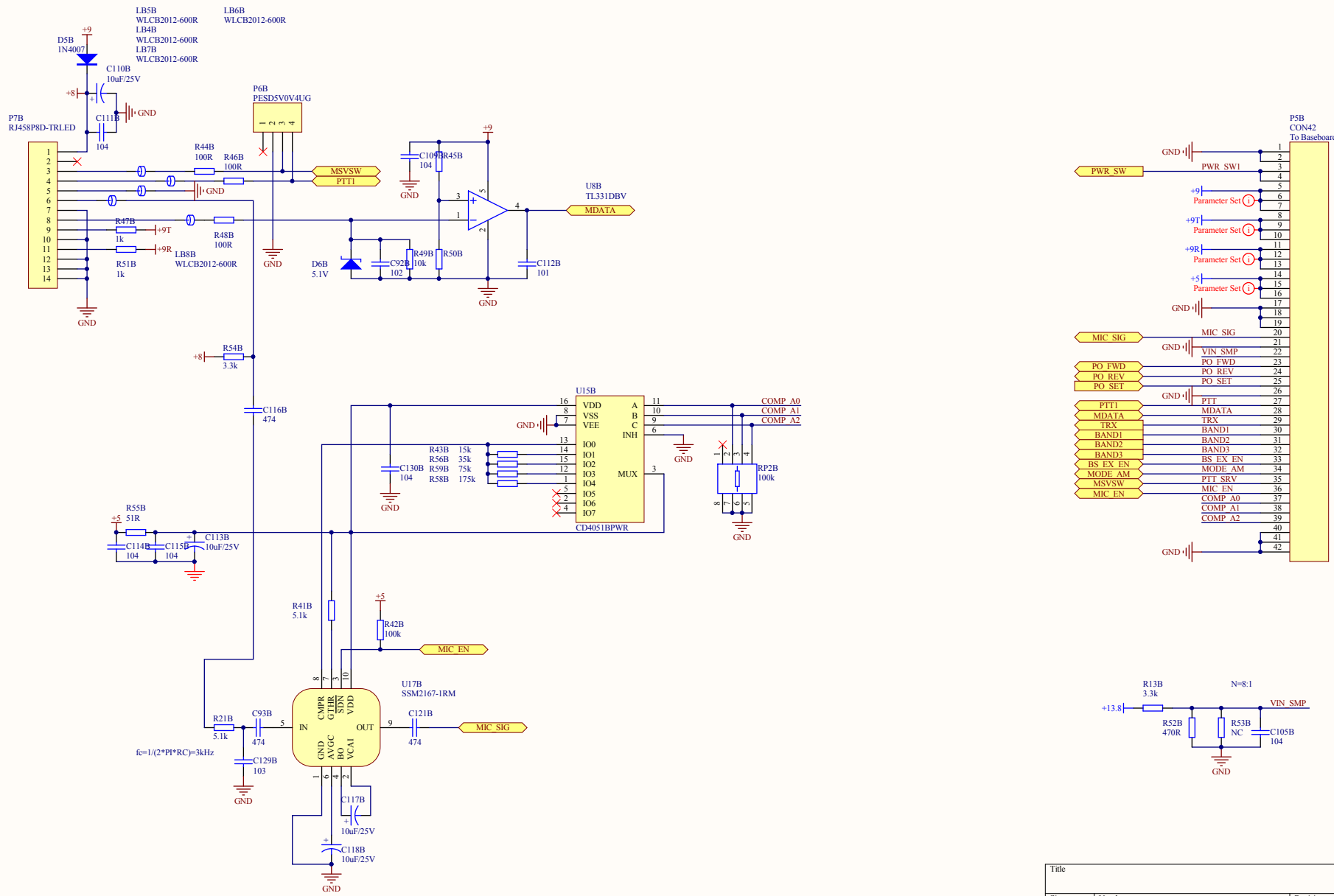
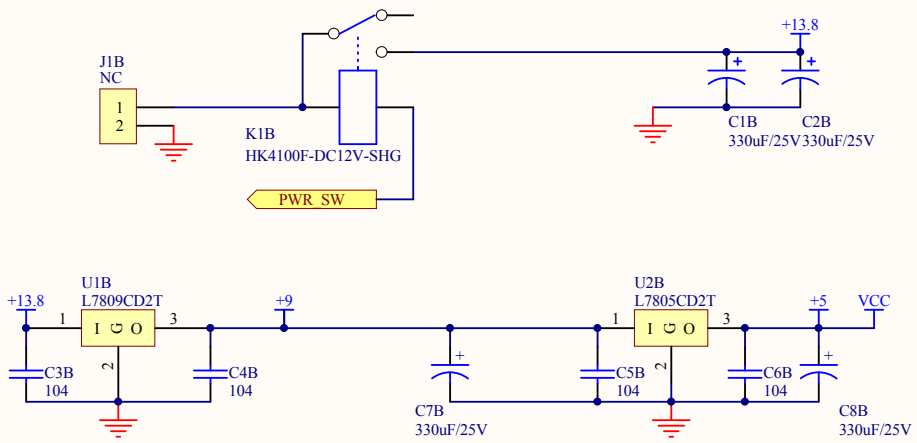


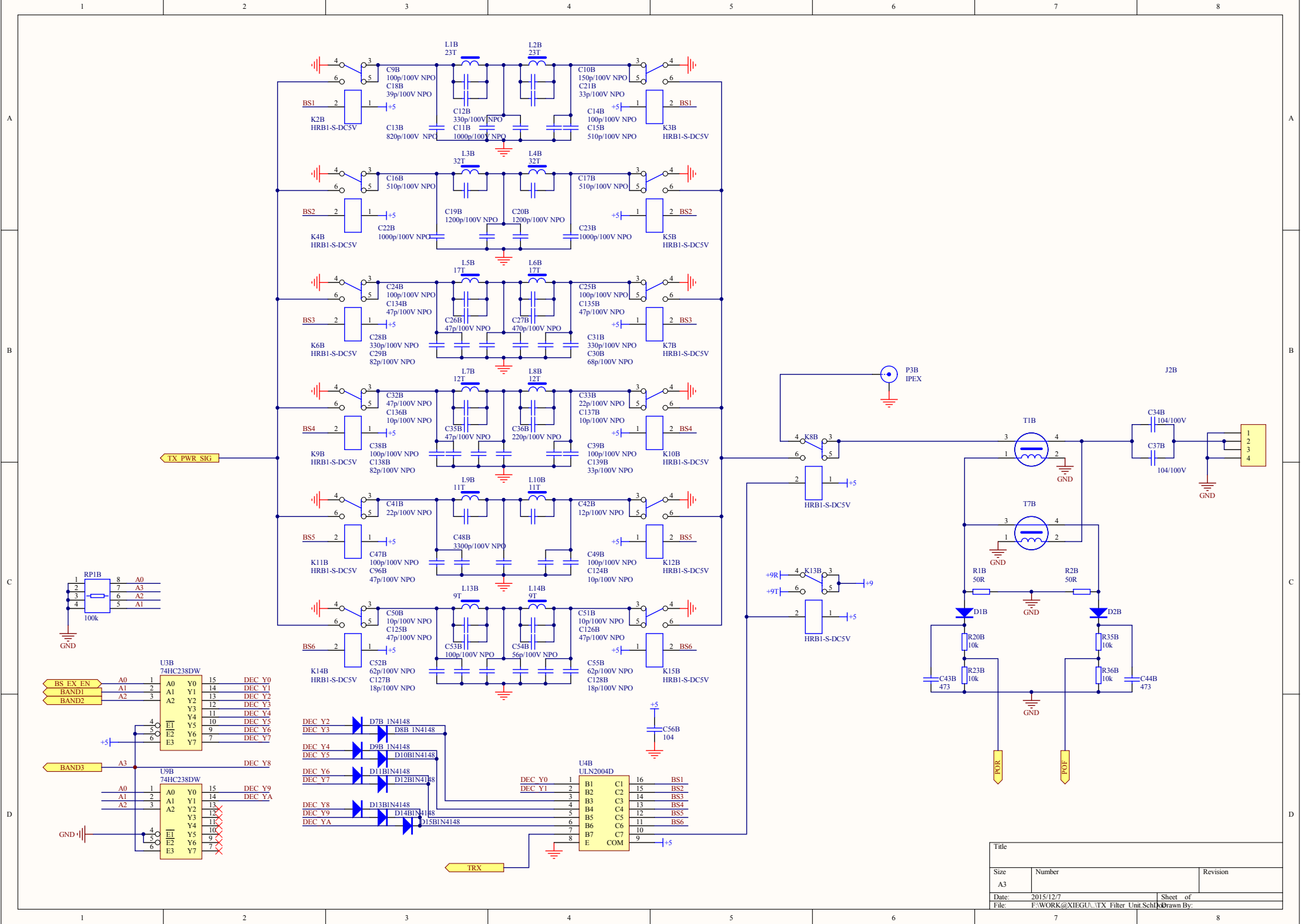
Title		
Size	Number	Revision
A4		
Date:	2015/12/7	Sheet of
File:	F:\WORK\@XIEGU\...\ALC.SchDoc	Drawn By:



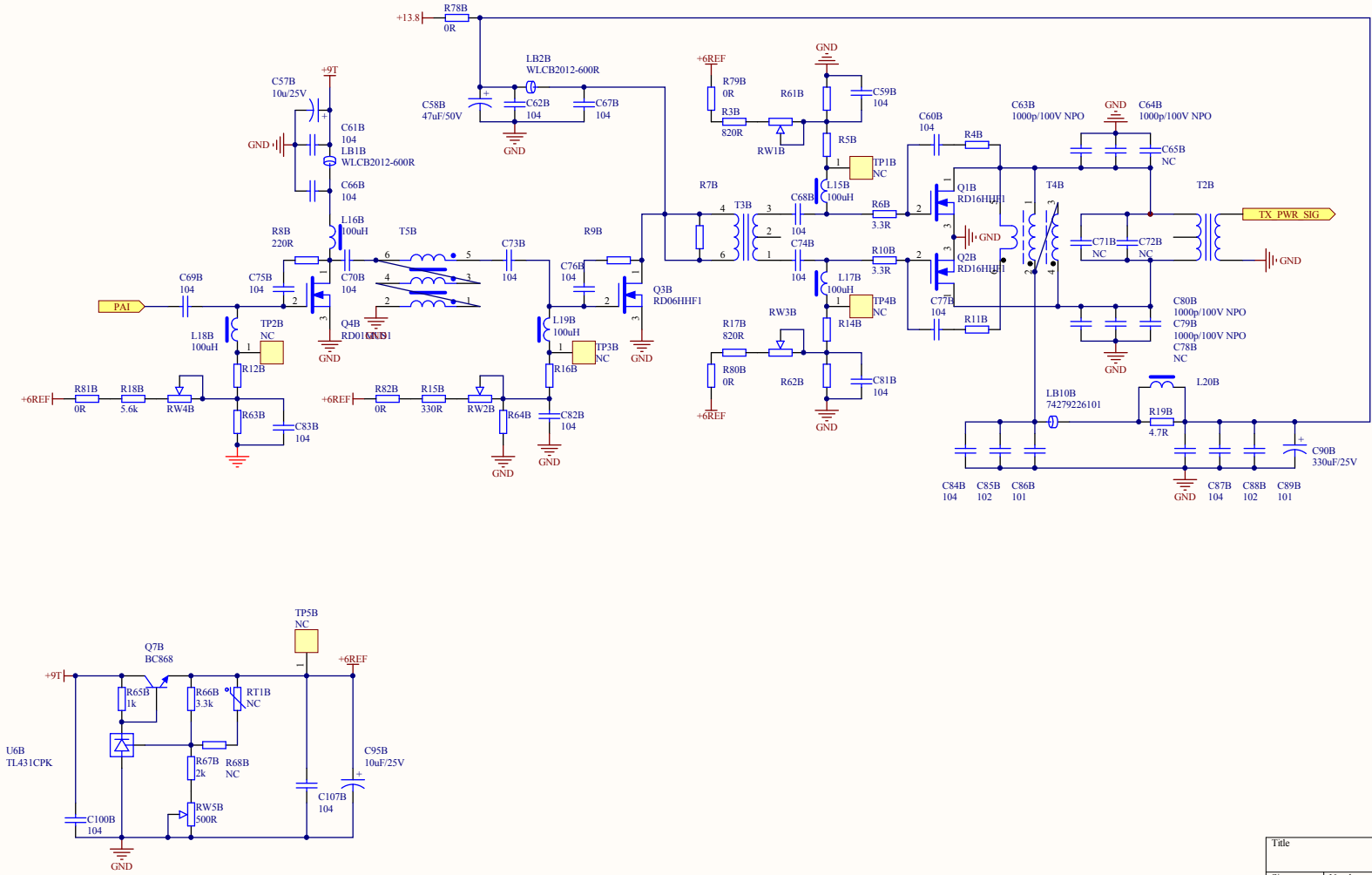
Title		
Size	Number	Revision
A3		
Date:	2015/12/7	Sheet of
File:	F:\WORK\@XIEGU\Interface.SchDoc	Drawn By:



Title		
Size	Number	Revision
A4		
Date:	2015/12/7	Sheet of
File:	F:\WORK@XIEGU\...PWR_SPLY Unit.Sch	



Title		
Size	Number	Revision
A3		
Date:	2015/12/7	Sheet of
File:	F:\WORK\@XIEGU\TX_Filter_Unit.Sch	Drawn By:



Title		
Size	Number	Revision
A3		
Date:	2015/12/7	Sheet of
File:	F:\WORK\@XIEGU\TX_PWR AMP	Unit: PCB